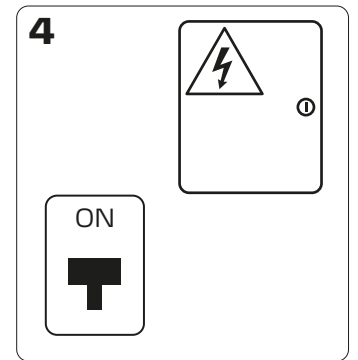
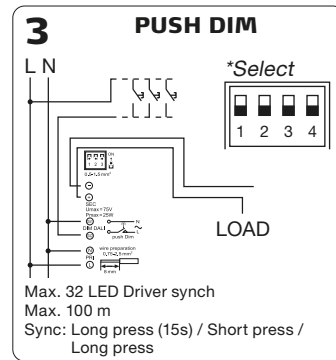
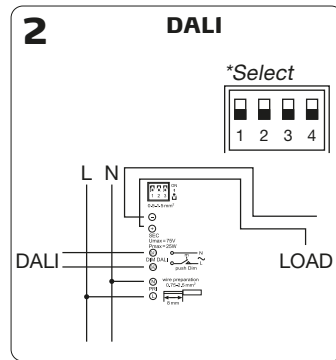
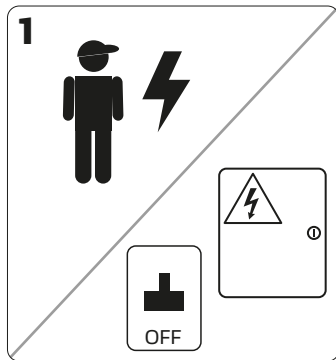
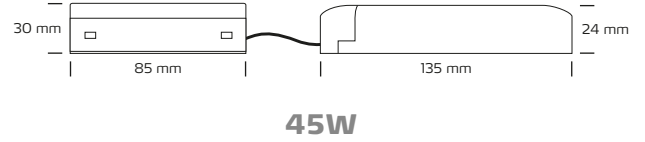
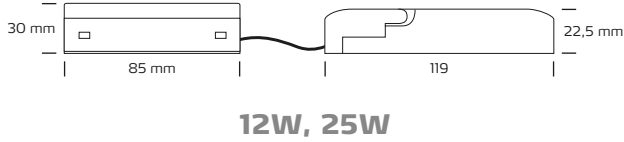


Dali / Push Cc driver 12W, 25W, 45W



	12W / 98525015	25W / 98525035	45W / 98525045
Input voltage	220-240VAC	220-240VAC	220-240VAC
Power factor	0,95	0,95	0,95
Output voltage	54V	60V	64V
Output current	180-500mA*	260-700mA*	350-1050mA*
Operating temperature ta	-20° - +50°C	-20° - +50°C	-20° - +50°C
Housing temperature tc	80°C	85°C	85°C
Overload protection	✓	✓	✓
Wire sizes	PRI 0.75 - 2.5 m ² SEC 0.5 - 1.5 m ²	PRI 0.75 - 2.5 m ² SEC 0.5 - 1.5 m ²	PRI 0.75 - 2.5 m ² SEC 0.5 - 1.5 m ²

Max. LED driver per circuit breaker

	A ms	B10	B13	B16	B20	C10	C13	C16	C20
12W	5A@300ms	32	41	51	64	32	41	51	64
25W	5A@300ms	32	41	51	64	32	41	51	64
45W	5A@300ms	32	41	51	64	32	41	51	64

Sec. 180-500mA	Max. 12W	Item no. 98525015
Sec. 260-700mA	Max. 25W	Item no. 98525035
Sec. 350-1050mA	Max. 45W	Item no. 98525045

