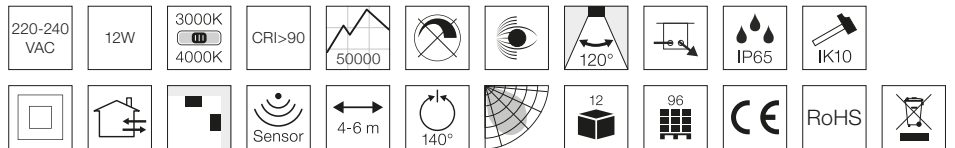
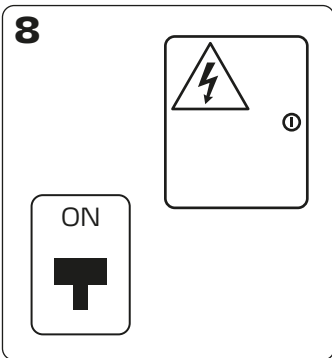
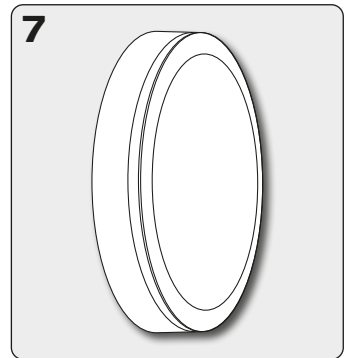
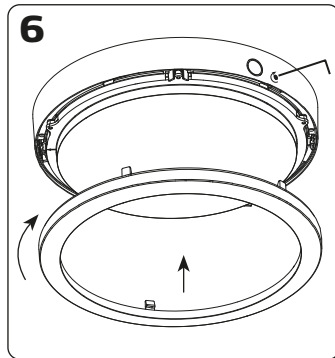
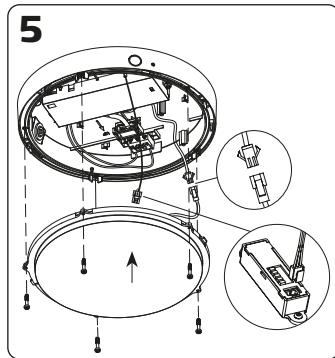
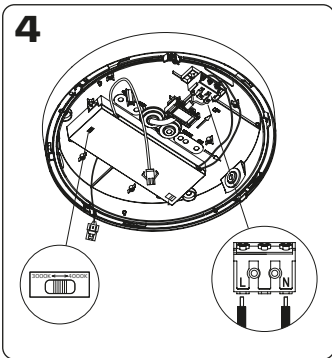
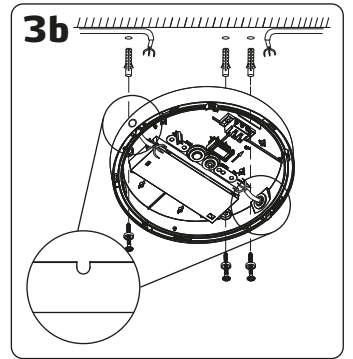
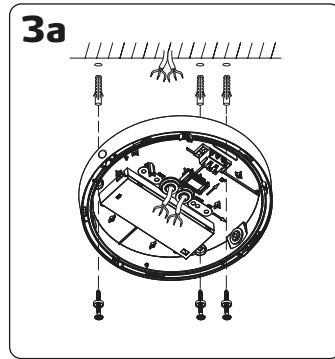
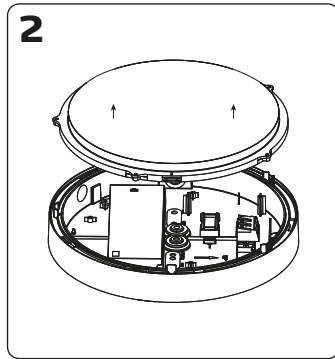
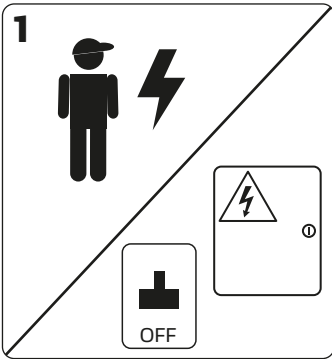
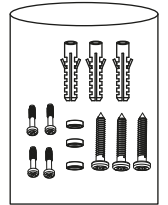
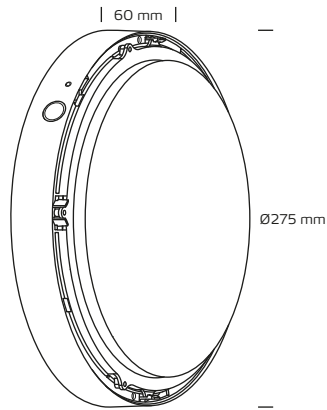


Palma Sensor

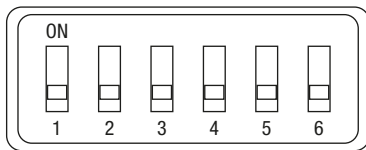


Palma Sensor

Daylight and Microwave Sensor

Detection area		Hold time		Daylight sensor		Stand-by DIM level		Stand-by DIM period		
1		2	3	4	-	5		6		
-	100%	-	-	5S	-	disable	-	0%	-	∞
ON	50%	-	ON	60S	ON	30 lux	ON	20%	ON	15 MIN
		ON	-	3 min						
		ON	ON	10 min						

Factory setting



Sensor setting

Detection area	
1	
-	100%
ON	50%

Detection area

Detection area can be reduced by selecting the combination on the DIP switches to fit precisely each application.

Notice 1: The test is based on a height of 3 m, the radius is the ground detect distance, which can be selected through the slide switch.

Notice 2: The detective range is measured by human body whose stature is around 1.6-1.7M with medium size and traveling speed is around 1.0-1.5M per second. If the stature, bodily form and traveling speed are changed, then the detective range will be changed accordingly.

Notice 3: Test result will be highly influenced by test environment, the more open environment, the closer detect distance; the narrower environment, the longer detect distance. The detector may do self-excitation in a narrow environment.

Hold time		
2	3	
-	-	5S
-	ON	60S
ON	-	3 min
ON	ON	10 min

Hold time

Refers to the time period the lamp remains at 100% illumination after no motion detected.

Notice 1: The hold time can be selected by the slide switch.

The hold time counting should be started after the sensor is powered on and initialized.

Daylight sensor	
4	-
-	disable
ON	30 lux

Daylight sensor

The sensor can be set to only allow the lamp to illuminate below a defined ambient brightness threshold. When set to Disable mode, the daylight sensor will switch on the lamp when motion is detected regardless of ambient light level.

Notice 1: The light threshold can be selected through the slide switch, it may cause a large deviation in different lamps.

Stand-by DIM level	
5	
-	0%
ON	20%

Stand-by dimming level

This is the dimmed low light output level you would like to have after the hold-time in the absence of people.

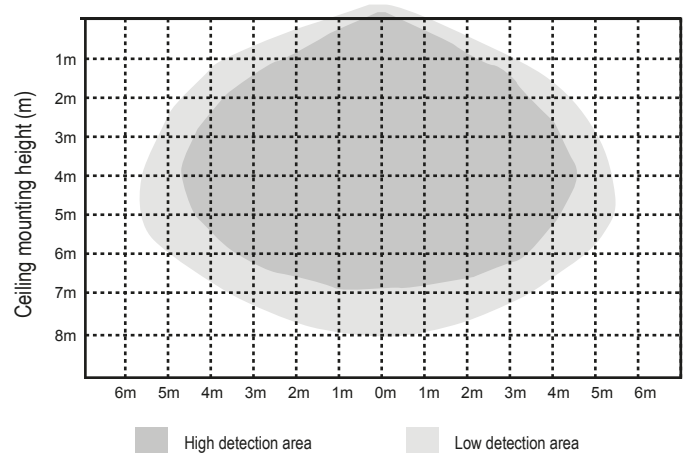
Stand-by DIM period	
6	
-	∞
ON	15 MIN

Stand-by period

This is the time period you would like to keep at the low light output level before it is completely switched off in the long absence of people.

Induction Range

Ceiling Mounting pattern (Unit: m)



Wall Mounting pattern (Unit: m)

